



Tal & Hadas  
The Best Products In The World

# ***Tal and Hadas***



***Energy Absorbing  
Pallet System***

# ***Parachuted Equipment Systems***



Tal & Hadas Ltd.

Telephone: +972-4-6408400  
Info@tal-and-hadas.com

## **EAPS - Energy Absorbing Pallet System**

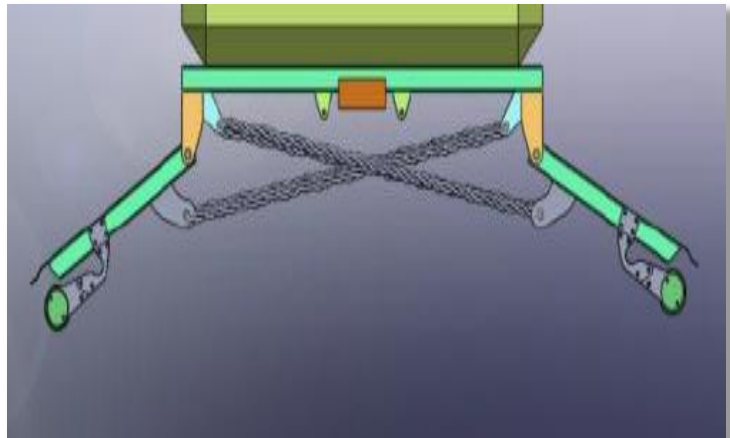
**EAPS** – Energy Absorbing Pallet System (Patent Registered) for parachuted/air drop equipment.

Main system concept is to absorb the energy which caused by the touchdown impact.

The system is compact and takes the same space  
As a regular pallet in cargo planes.

The damping pallet allows safe parachute dropping of loads/supplies from the air, Including sensitive and fragile equipment with ease. Without causing damage to the equipment.

The system has been developed to cope with varying levels of "energy absorption" according to clients requirements and to the load specifications.



It is possible to "drop" anything from medical supplies, food and up to entire vehicles without causing damage to the equipment.

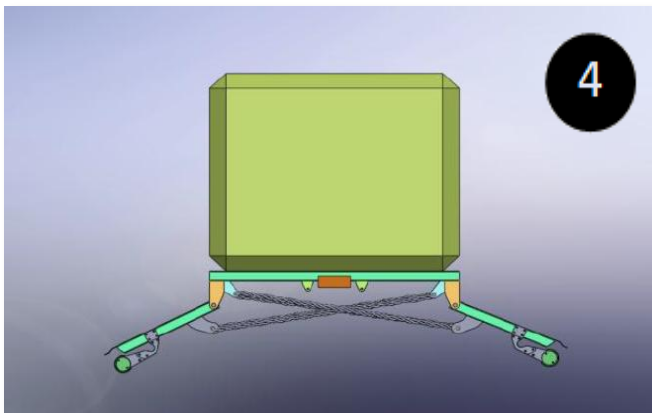
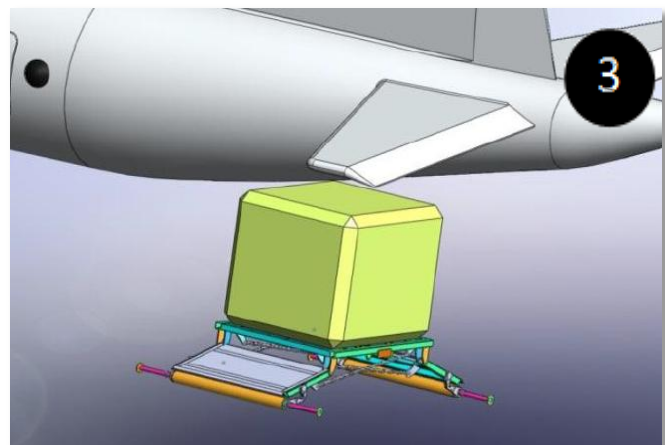
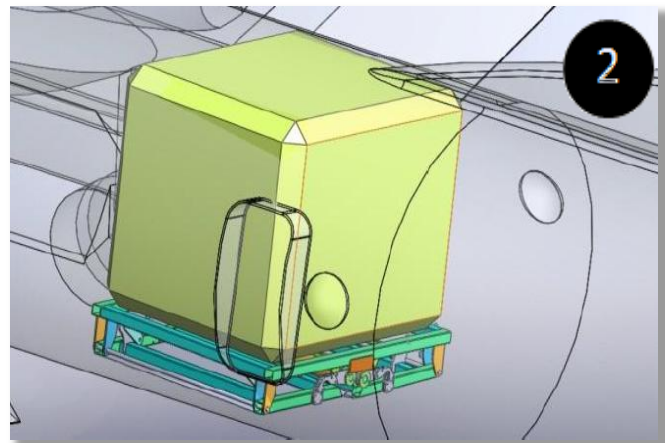
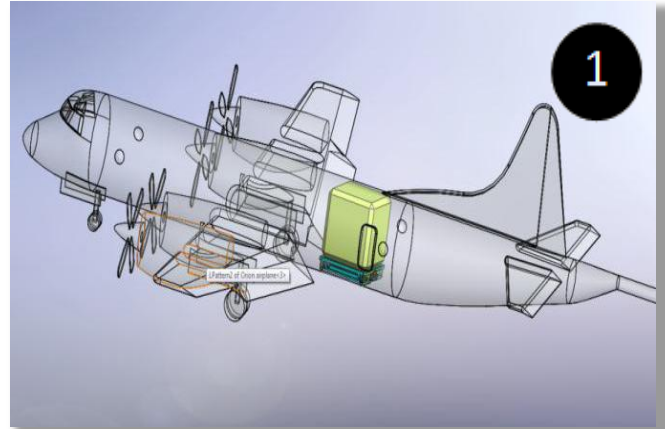




# EAPS - Energy Absorbing Pallet System

## Key system concept

1. Equipment is attached to the folded pallet.
2. Pallet is moved through rear hatch.
3. System unfolds and Pallet is extended in both length and width once airborne.
4. System is ready for Touchdown energy absorption.



# EAPS - Energy Absorbing Pallet System

## About us

Tal and Hadas, A privately owned Company established in 1982. We specializes in a number of fields and can provide solutions to your requirements from the concept design stage, through to development and final production. Tal and Hadas holds international patents on many exclusive and innovative products, which have both military and civilian applications.

Tal & Hadas Ltd. works in compliance with the TS16949 and ISO 9001 standards. We work with the following industries: Defense, Automotive, Truck & Transport and the Railway Industry.

## Our Major clients include:

### Automotive Industry OEM:

GM, VW, Kia, Hyundai  
as well as all the major  
Israeli vehicle importers.

### Railway Industry:

Siemens and Haargaz.

### Military Industry,

The Israel Defense Forces,  
Police, GDLS, British Armed Forces and US Armed Forces.

